

Morsettiere protette
Terminal boxes
Borniers couvertes
Geschützte Klemmen

Morsettiere con fissacavo
Terminal blocks with integrated cable clamp
Borniers avec serre cable intégré
Klemmen mit Befestigungskabel

D1
PA 244 S **NEW**



S (mm²) 2.5
V (Volts) 250
I (A) 16
work.temperature (°C) -5÷125

D6
PA 4534 **NEW**




S (mm²) 6.0
V (Volts) 450
I (A) 41
work.temperature (°C) -5÷125

E1
PA 84-84F-84E-84FE



S (mm²) 1.5
V (Volts) 450
I (A) 16
work.temp. (°C) -5÷110

E6
PA 289



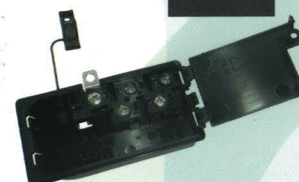
S (mm²) 4.0
V (Volts) 450
I (A) 32
work.temperature (°C) -5÷125

D2
PA 244 N



S (mm²) 1.5
V (Volts) 450
I (A) 16
work.temperature (°C) -5÷125

D7
FX 5244 A **NEW**



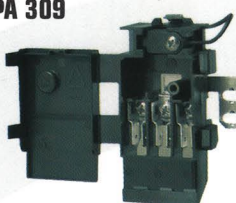
S (mm²) 6.0
V (Volts) 450
I (A) 35
work.temperature (°C) -5÷125

E2
PA 205-205X




S (mm²) 1.5
V (Volts) 450
I (A) 16
work.temp. (°C) -5÷125

D3
PA 309




S (mm²) 1.5
V (Volts) 400
I (A) 16
work.temperature (°C) -5÷125

D8
PA 92-92S



S (mm²) 1.0
V (Volts) 450
I (A) 13.5
work.temperature (°C) -5÷125

E3
PA 142-142/PF



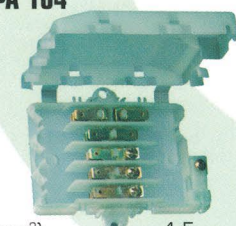
S (mm²) 2.5
V (Volts) 450
I (A) 25
work.temp. (°C) -5÷125

D4
PA 223 Sn **NEW**



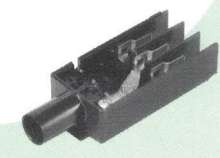
S (mm²) 6.0
V (Volts) 450
I (A) 40
work.temperature (°C) -5÷125

D9
PA 104



S (mm²) 1.5
V (Volts) 450
I (A) 16
work.temperature (°C) -5÷85

E4
PA 299-299C



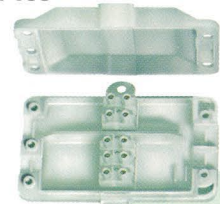
S (mm²) 1.5
V (Volts) 450
I (A) 16
work.temp. (°C) -5÷125

D5
PA 4542 **NEW**



S (mm²) 6.0
V (Volts) 450
I (A) 41
work.temperature (°C) -5÷110

D10
PA 109



S (mm²) 1.5
V (Volts) 220Vac/12Vdc
I (A) 16
work.temperature (°C) -5÷125

E5
PA 189



S (mm²) 2.5
V (Volts) 450
I (A) 16
work.temp. (°C) -5÷125